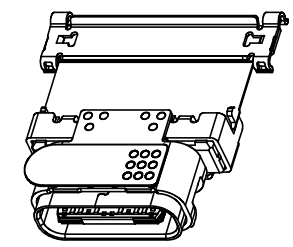
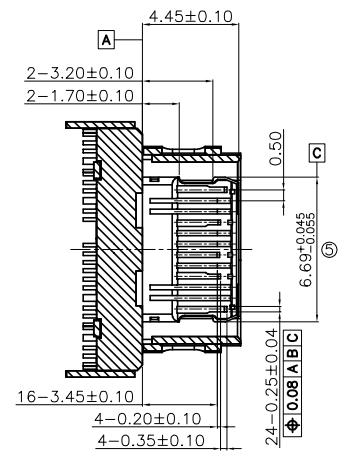
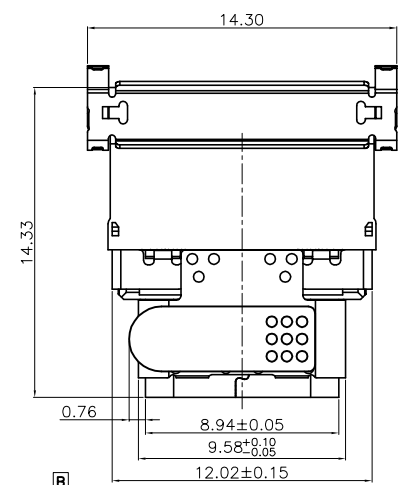


# GREEN PRODUCT

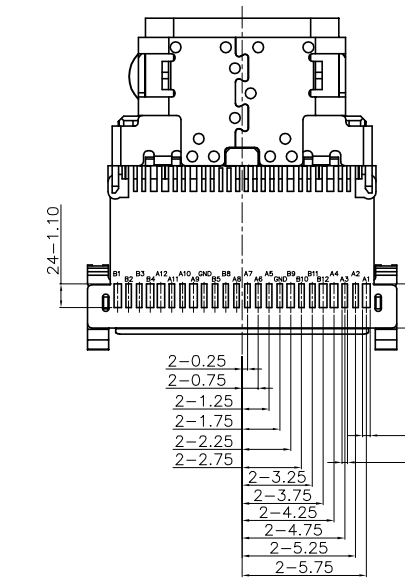
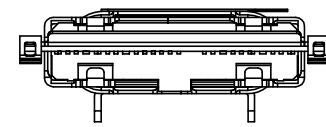
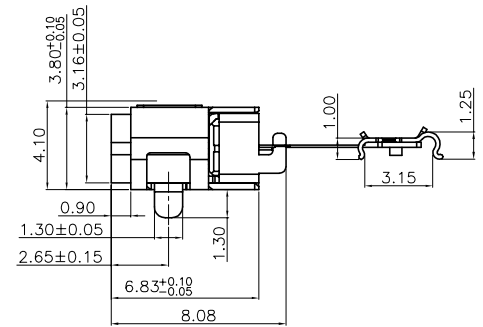
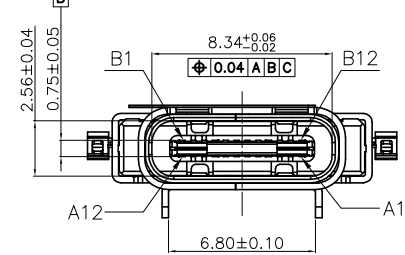
REV.	ECN. NO.	LOCATIONS	DESCRIPTION	DATE	DESIGN
A0			INITIAL RELEASE	07/10'24	龚帆



NOTE:

- MECHANICAL:
  - 1-1.MATING FORCE: 0.5~2.0Kgf
  - 1-2.UNMATING FORCE: Initial: 0.8~2.0Kgf  
After 10,000 cycles: 0.6~2.0Kgf
  - 1-3.FREQUENCE:500±50 CYCLES/HOUR,10000 CYCLES;
- ELECTRICAL CHARACTERISTICS:
  - 2-1. CURRENT RATING: 5.00 A for VBUS, 1.25 A for VCONN  
0.25 A FOR OTHER PINS
  - 2-2. INITIAL CONTACT RESISTANCE:40mΩ Max.
  - 2-3. INSULATION RESISTANCE:100MΩ MIN
  - 2-4. WITHSTANDING VOLTAGE:100V AC,1 MINUTE;
- ENVIRONMENTAL  
TEMPERATURE RANGE: -25°C TO +85°C.
- PART NO. DESCRIPTION:
  - TM N 5 24 C - L 1 -0 5 -086-S-X
  - 1:单层板FPC
  - 2:双层板FPC
  - 0:TRAY
  - HOUSING COLOUR  
1:BLACK
  - HOUSING MATERIAL  
L:PA9T

PLATED ON CONTACT AREA  
C:Contact area:Au30u" Min.  
Solder area:Matte Tin 80u" Min  
All over Ni 80u" Min



(A2,A3,A5,A6,A7,A8,A10,A11)  
8-0.35 (B2,B3,B5,B8,B10,B11,GND)  
16-0.25 (A1,A12,B1,B12)  
(A4,A9,B4,B9)

A1	GND	B12	GND
A2	SSTXP1	B11	SSRXP1
A3	SSTXN1	B10	SSRXN1
A4	VBUS	B9	VBUS
A5	CC1	B8	SBU2
A6	DP1		
A7	DN1		
A8	SBU1	B5	CC2
A9	VBUS	B4	VBUS
A10	SSRXN2	B3	SSTXN2
A11	SSRXP2	B2	SSTXP2
A12	GND	B1	GND
PIN	SIGNAL NAME	PIN	SIGNAL NAME

ITEM	PART NAME	Q'TY	MATERIAL	FINISH
1	Insulator	1	THERMOPLASTIC	Black, UL94V-0
2	CONTACT	1	HIGH CONDUCTIVITY COPPER	Contact area:Gold plated over Ni. SMT Solder area:Matte Tin plated over Ni.
3	SHELL	1	STAINLESS STEEL	Ni plated over all
4	MID-PLATE	1	STAINLESS STEEL	Matte Tin plated over Ni.
5	FPC	1		
6	ZIF SHELL	1	STAINLESS STEEL	Ni plated over all

INTENDED USE	UNIT		<b>東莞康祥電子有限公司</b> KANXIAN DONG GUAN KANG XIANG ELECTRON CO.,LTD.
	FINISH		
PART NO.	SEE NOTE	APPD:	TITLE: Type-C 单排SMT 24P 沉板 CH=0.06 带FPC(TM086)
TOLERANCES	MAT'L	CHKD:	FILE NO.
.X ± 0.35 X.' ± 2° .XX ± 0.25 X.X' ± 1.5°	SEE NOTE	DR: 龚帆 07/10'24	REV. A0
		SCALE 1/1	SHEET 1 OF 1