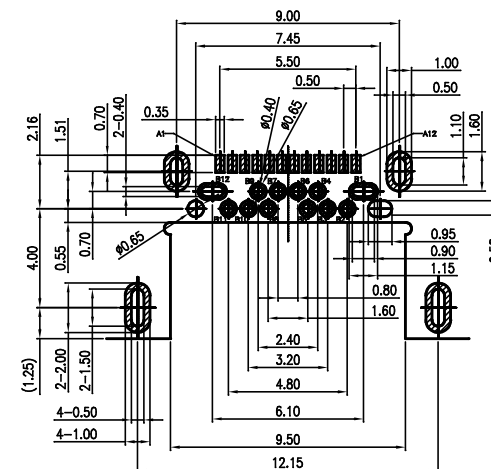
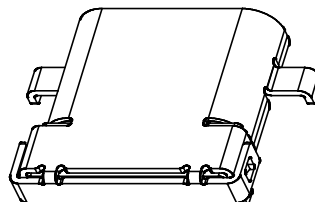
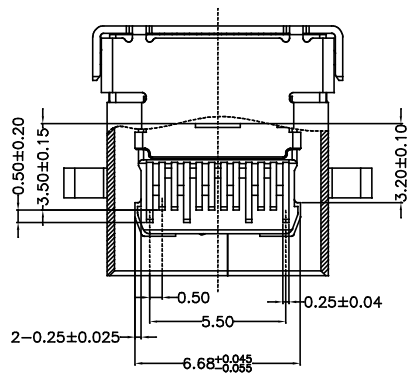


GREEN PRODUCT

REV.	ECN. NO.	LOCATIONS	DESCRIPTION	DATE	DESIGN
A0			初版行	06/15'21	程念念

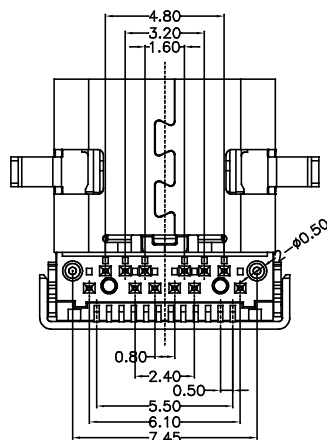
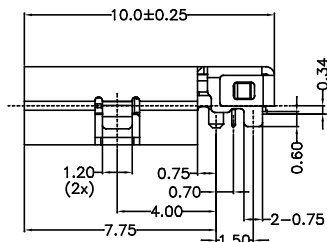
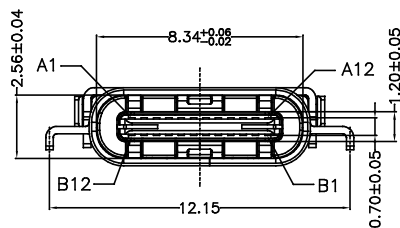


RECOMMENDED P.C.B. LAYOUT

- ELECTRICAL:**
CURRENT: 5A MIN FOR VBUS;
0.25A MIN FOR OTHER.
VOLTAGE: 5VAC MAX
WITHSTANDING VOLTAGE: 100V AC.
CONTACT RESISTANCE: 40mΩ MAX.
INSULATION RESISTANCE: 100MΩ MIN.
- MECHANICAL:**
INSERTION: 5~20N.
EXTRACTION: 8~20N.
DURABILITY: 10000 CYCLES
- ENVIRONMENTAL**
TEMPERATURE RANGE -55°C ~ +85°C

4.MATERIAL LIST:

No.	PART NAME	QTY	MATERIAL	REMARK
4	MID PLATE	1	STAINLESS STEEL	NI PLATED
3	SHELL	1	STAINLESS STEEL	NI PLATED
2	CONTACT	24	COPPER ALLOY	AU 1U' /TIN PLATED
1	HOUSING	1	THERMOPLASTIC(LCP)	(UL 94V-0)



INTENDED USE	UNIT mm				東莞康祥電子有限公司	
	FINISH				DONG GUAN KANG XIANG ELECTRON CO.,LTD.	
PART NO. TMN424B-41-50-038		APPD:	TITLE: USB3.1 C TYPE FEMALE R&A SMT&DIP H1.91MM L10.0			
TOLERANCES .X ± 0.35 X.*±3.0* .XX± 0.25 X.X*±1.5*	MAT'L	CHKD:	FILE NO. 09-002A93	REV. A0		
	SEE NOTE	DR: 程念念 06/15'21	SCALE N/A	SHEET 1 OF 1		