

GREEN PRODUCT

REV.	ECN. NO.	LOCATIONS	DESCRIPTION	DATE	DESIGN
A0			初版行	06/15'21	程念念

NOTE:

1.ELECTRICAL CHARACTERISTICS;

- 1.1 CONTACT RESISTANCE: 40mΩ Max FOR INITIAL. 10mΩ CHANGE AFTER TEST. MEASURE AT 20mV, 100mA.
- 1.2 CONTACT CURRENT RATING: 5A FOR VBUS PIN; 1.25A FOR VCONN PIN.
- 1.3 DIELECTRIC WITHSTANDING VOLTAGE: 100V AC R.M.S.
- 1.4 INSULATION RESISTANCE 100MΩ Min
- 1.5 OPERATING TEMPERATURE: -40°C ~ 85°C

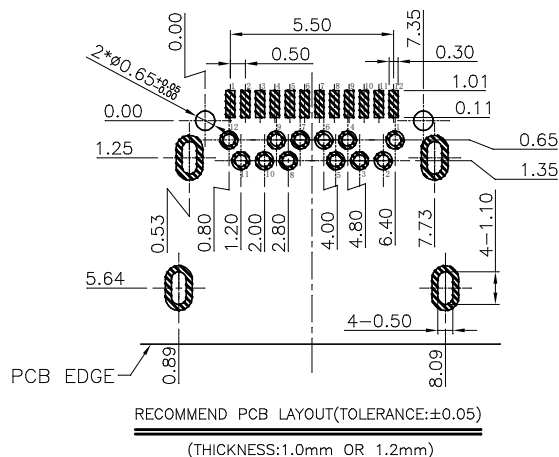
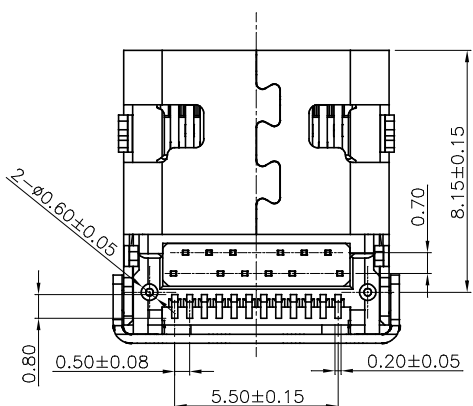
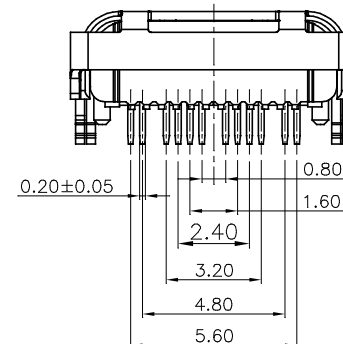
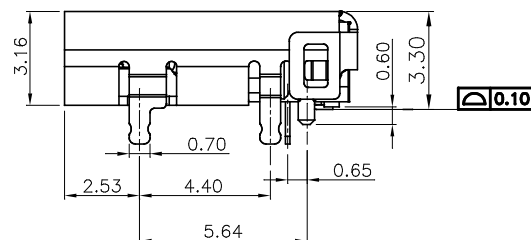
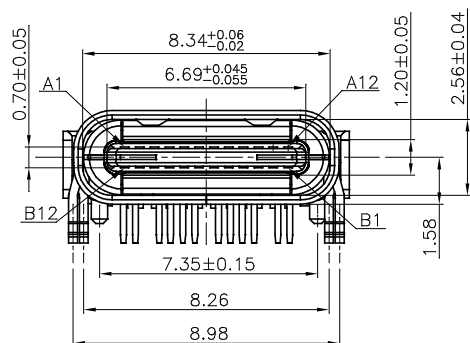
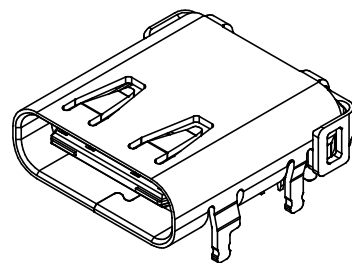
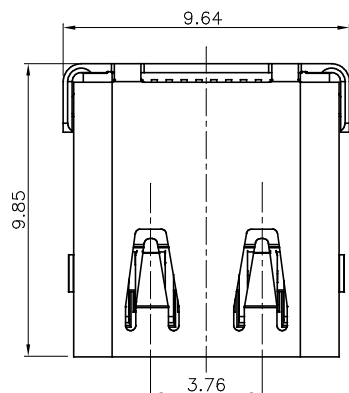
2. MECHANICAL CHARACTERISTICS:

- 3.1 MATING FORCE: 5~20 N.
- 3.2 UNMATED FORCE: 8~20N AFTER TEST
- 3.3 DURABILITY: 10,000 CYCLES

3.MATERIAL:

No.	PART NAME	QTY	MATERIAL	REMARK
5	EMC	2 PCS	STAINLESS STEEL	
4	MID PLATE	1 PCS	STAINLESS STEEL	NI PLATED
3	SHELL	1 PCS	STAINLESS STEEL	NI PLATED
2	CONTACT	24PCS	COPPER ALLOY	AU 3U'/TIN PLATED
1	MOLDING	1 SET	THERMOPLASTIC	(UL 94V-0)

A
B
C
D
E



	A		B
1	GND	12	GND
2	TX+	11	RX-
3	TX-	10	RX+
4	VBUS	9	PWR
5	CC	8	SBU2
6	D-	7	D+
7	D+	6	D-
8	SBU1	5	Vconn
9	VBUS	4	PWR
10	RX+	3	TX+
11	RX-	2	TX-
12	GND	1	GND

INTENDED USE	UNIT mm			東莞康祥電子有限公司	
PART NO. TMN4242-41-50-037	FINISH			DONG GUAN KANG XIANG ELECTRON CO.,LTD.	
TOLERANCES .X ± 0.35 X.X±3.0° .XX± 0.25 X.X±1.5°	MAT'L	APPD:	TITLE: USB 3.2 TYPE C RECEPTACLE	FILE NO. 09-002A92	REV. A0
	SEE NOTE	CHKD:	DR: 程念念 06/15'21	SCALE N/A	SHEET 1 OF 1