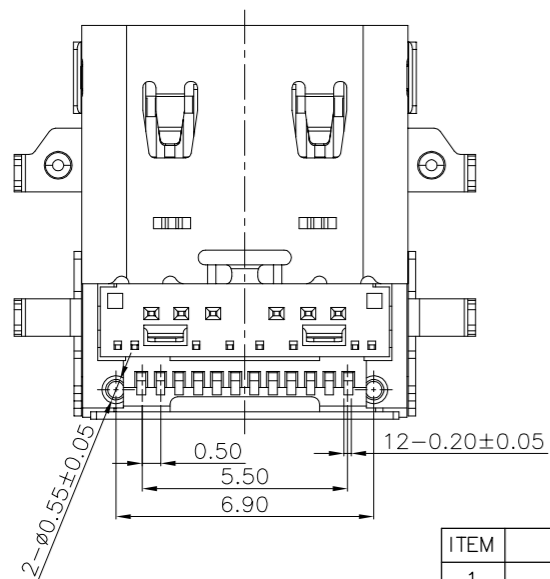
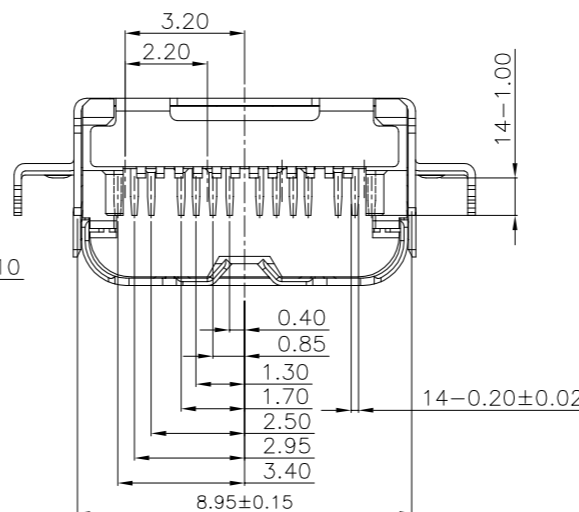
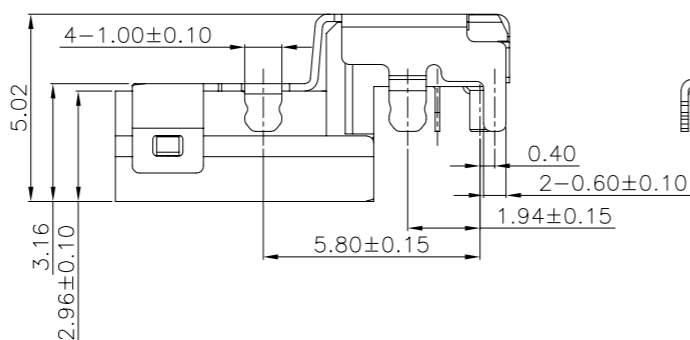
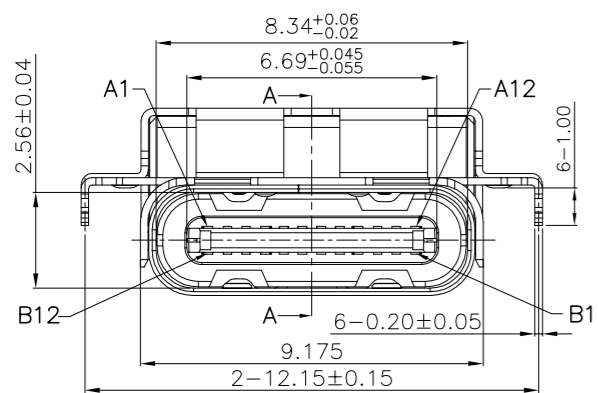
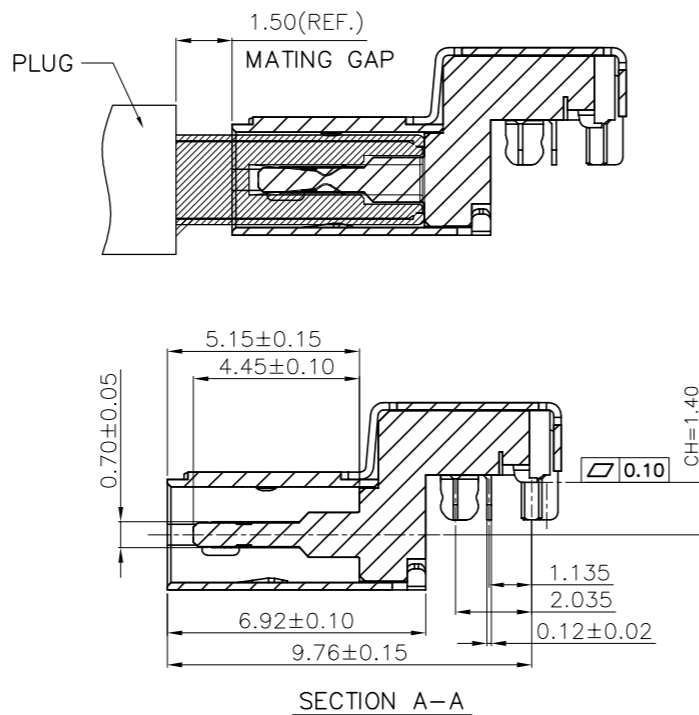
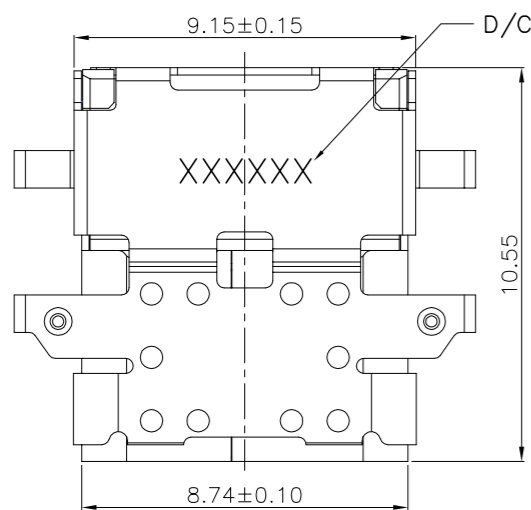


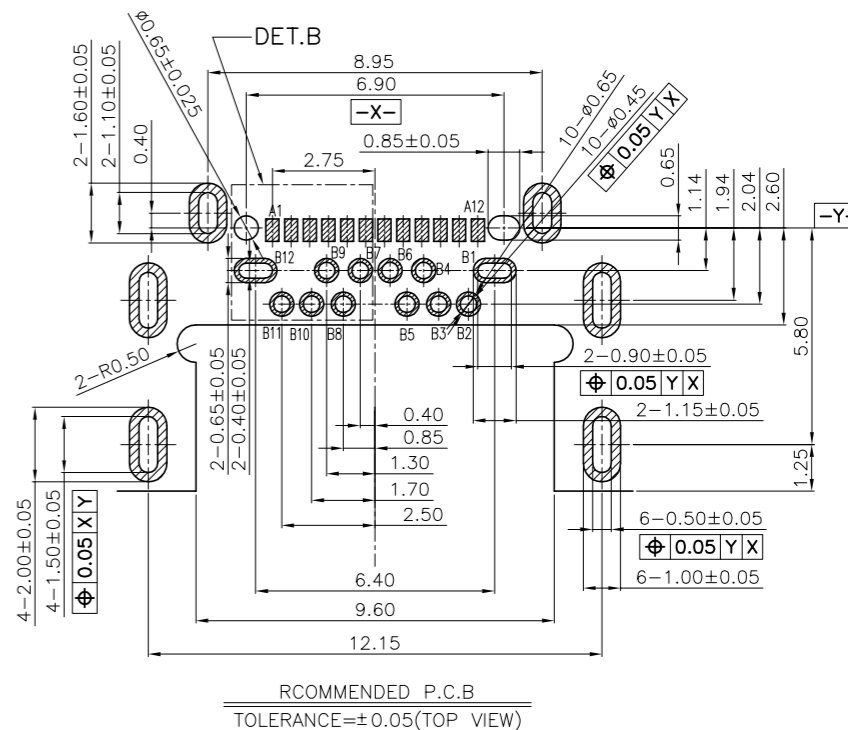
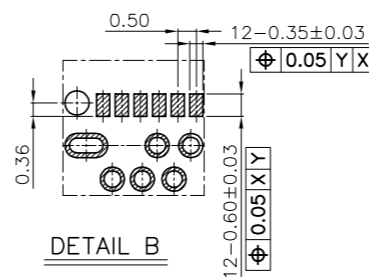
GREEN PRODUCT

REV.	ECN. NO.	LOCATIONS	DESCRIPTION	DATE	DESIGN
A0			INITIAL RELEASE	10/30'24	龚帆

A
B
C
D
E



A1	GND	B12	GND
A2	SSTXP1	B11	SSRXP1
A3	SSTXN1	B10	SSRXN1
A4	VBUS	B9	VBUS
A5	CC1	B8	SBU2
A6	DP1	B7	DN2
A7	DN1	B6	DP2
A8	SBU1	B5	CC2
A9	VBUS	B4	VBUS
A10	SSRXN2	B3	SSTXN2
A11	SSRXP2	B2	SSTXP2
A12	GND	B1	GND
PIN	SIGNAL NAME	PIN	SIGNAL NAME



- NOTE:
- MECHANICAL:
 - MATING FORCE: 0.5~2.0Kgf
 - UMMATING FORCE: Initial: 0.8~2.0Kgf
After 10,000 cycles: 0.6~2.0Kgf
 - FREQUENCY: 500±50 CYCLES/HOUR, 10000 CYCLES;
 - ELECTRICAL CHARACTERISTICS:
 - CURRENT RATING: 5.00 A for VBUS, 1.25 A for VCONN
0.25 A FOR OTHER PINS
 - INITIAL CONTACT RESISTANCE: 40mΩ Max.
 - INSULATION RESISTANCE: 100MΩ MIN
 - WITHSTANDING VOLTAGE: 100V AC, 1 MINUTE;
 - ENVIRONMENTAL
TEMPERATURE RANGE: -25°C TO +85°C.
 - PART NO. DESCRIPTION:

TM N 4 24 L - 4 1 -5 N -107

SHELL PLATED
N: Ni

PLATED ON CONTACT AREA
L: Contact area: Au 1u" Min.
DIP Solder area: Matte Tin
SMT Solder area: Au 1u" Min.

5: REEL
HOUSING COLOUR
1: BLACK
HOUSING MATERIAL
4: LCP

ITEM	PART NAME	Q'TY	MATERIAL	FINISH	INTENDED USE	UNIT
1	Insulator	1	THERMOPLASTIC	Black, UL94V-0		
2	CONTACT	1	HIGH CONDUCTIVITY COPPER	Contact area: Gold plated over Ni. DIP Solder area: Matte Tin plated over Ni. SMT Solder area: Gold plated over Ni.	PART NO. TMN424L-41-5N-107	SEE NOTE
3	IN SHELL	1	STAINLESS STEEL	Ni plated over all	TOLERANCES .X ± 0.35 X: ± 2°	MAT'L
4	OUT SHELL	1	STAINLESS STEEL	Ni plated over all	.XX ± 0.25 X.X: ± 1.5°	SEE NOTE
5	MID-PLATE	1	STAINLESS STEEL	Clean		

東莞康祥電子有限公司
 KANXIAN DONG GUAN KANG XIANG ELECTRON CO.,LTD.

APPD:
 CHKD:
 DR: 龚帆 10/30'24

TITLE: Type-c DIP+SMT 24p
 沉板 CH=-1.40(TM107)

FILE NO.
 REV. A0

SCALE 1/1
 SHEET 1 OF 1